



UNDERSTAND OPTIMISE PROTECT



EMSO – STRATEGIC WORKSHOP

11-13 MARCH 2025

OCEAN BOTTOM SEISMIC

NEIL WATKISS
COMMERCIAL DIRECTOR



WORLD-LEADING OCEAN BOTTOM SOLUTIONS

- **35+ YEARS OF OBS EXPERIENCE**

- STANDARDISED & BESOKE SOLUTIONS
- DESIGN, MANUFACTURE, DEPLOYMENT, SERVICE
- DEPLOYMENTS IN EVERY OCEAN BASIN

- **BROADBAND SEISMIC MONITORING**

- FREEFALL, AUTONOMOUS
- CABLED SYSTEMS
- SMART CABLES

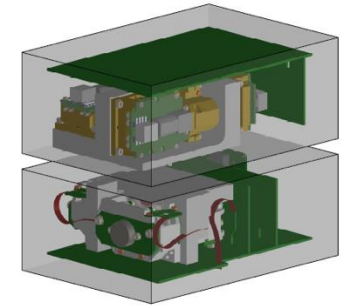
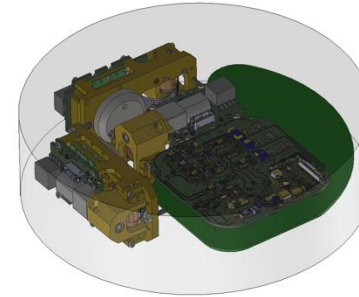
- **OCEAN OBSERVATORIES**

- SEISMOMETERS
- ACCELEROMETERS
- HYDROPHONES
- PRESSURE GAUGE (APG, DPG)
- TEMPERATURE
- SALINITY
- CURRENT METERS
- O2 SENSOR
- CONDUCTIVITY
- DAS & MANY MORE...



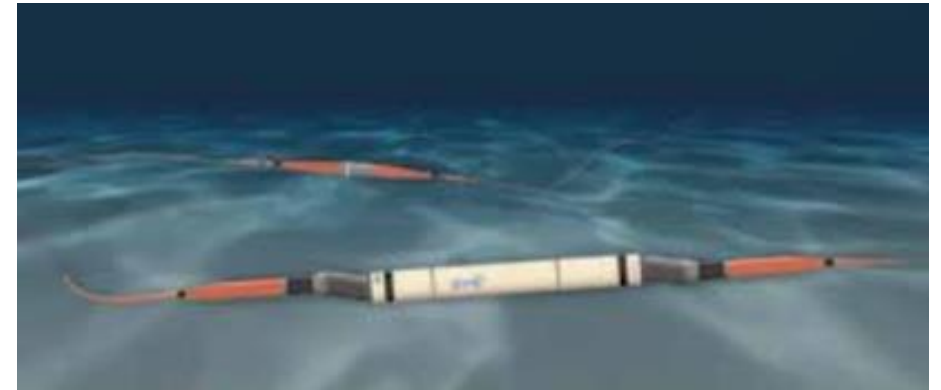
- **INSTRUMENTS**

- RELIABLE & ROBUST
- COST EFFECTIVE
- ROTATIONAL SEISMOLOGY



- **CABLED SOLUTIONS – SMART & NON-SMART**

- PROS & CONS



- **FREEFALL / AUTONOMOUS**

- UNDERWATER COMMUNICATIONS
- AUV & WAVEGLIDERS

- **3rd PARTY INSTRUMENTATION**

- **COLLABORATION WITH COMMERCIAL PARTNERS**



- **GSL HARDWARE DEVELOPMENT**

- SUPPORT TO ACCESS FUNDING
- UNDERSTANDING REQUIREMENTS
- 3rd PARTY SENSORS

- **PHYSICAL ACCESS**

- TESTING SOLUTIONS
- FACILITATING COLLABORATIONS

- **COMMUNICATIONS**

- HELP TO SPREAD THE WORD
- CONNECTION TO THE COMMUNITY

